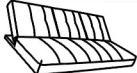





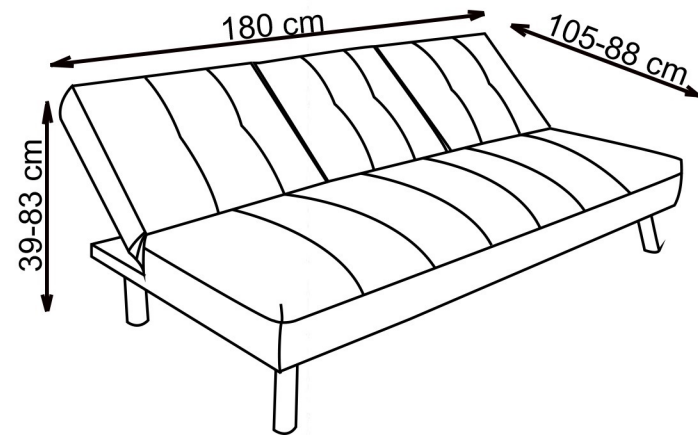
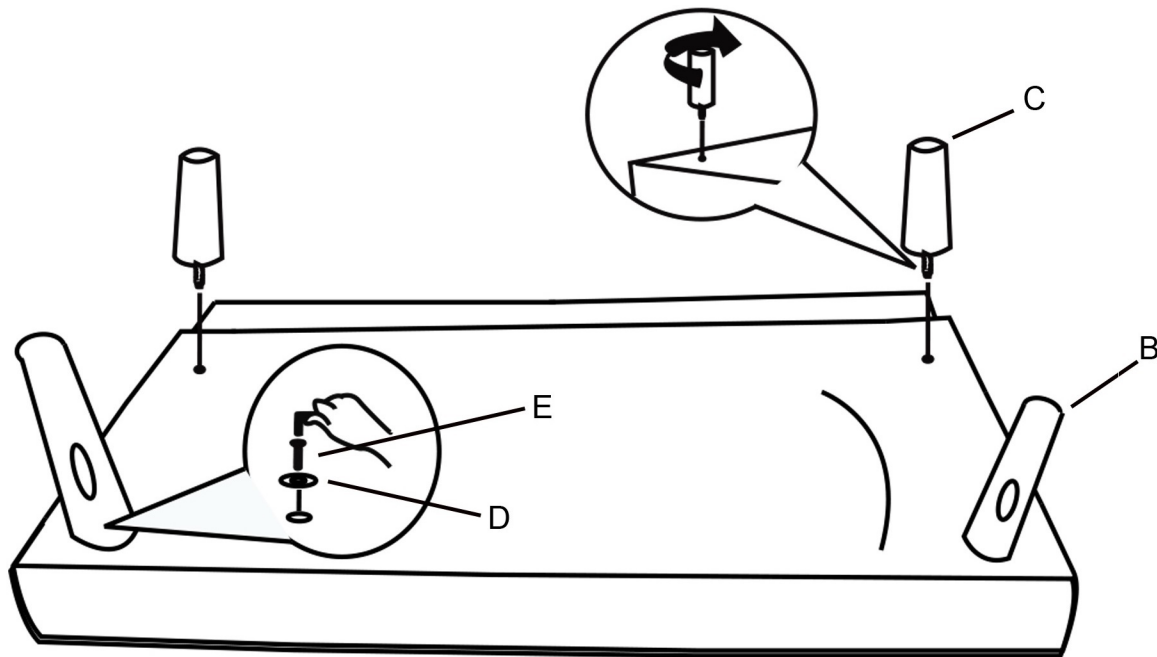


A		1
B		2
C		2
D		2
E		2
F		1



Terminal:DC5521 Female Connector  
Input:5V2A Output:5V1A Per Hole

Power Adapter:  
Input:100V-240V,50/60HzOutput:5V2A  
Plug Standard:US/EU/UK/AU,etc.  
Terminal:DC5521 Male Connector



 max. 200 kg